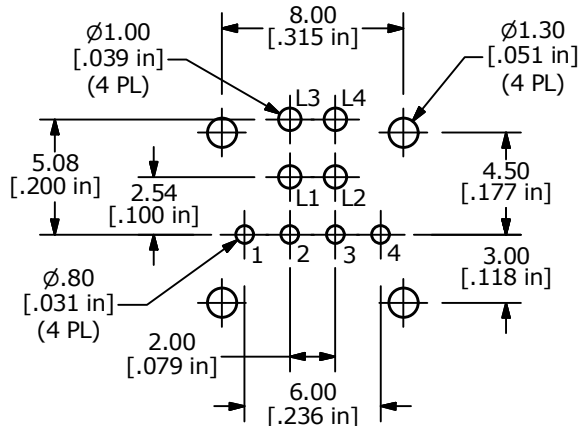
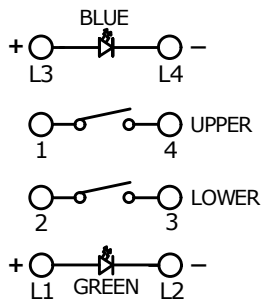


LED SPECS	UNITS	BLUE	GREEN
FORWARD CURRENT	mA	20	20
FORWARD VOLTAGE	V	3.3 TYP - 4.0 MAX	2.1 TYP - 2.5 MAX
LUMINOUS INTENSITY	mcd	1000 TYP	300 TYP

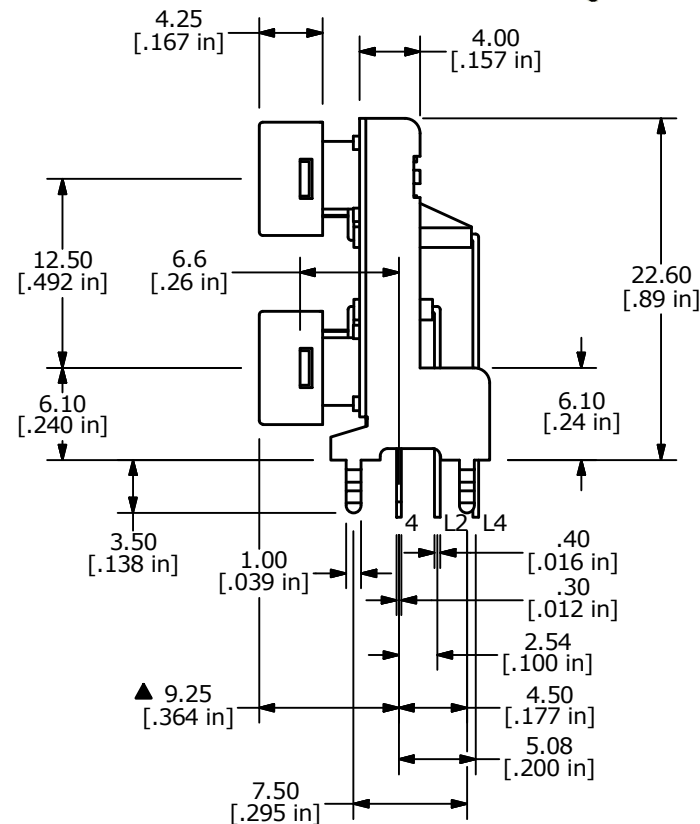
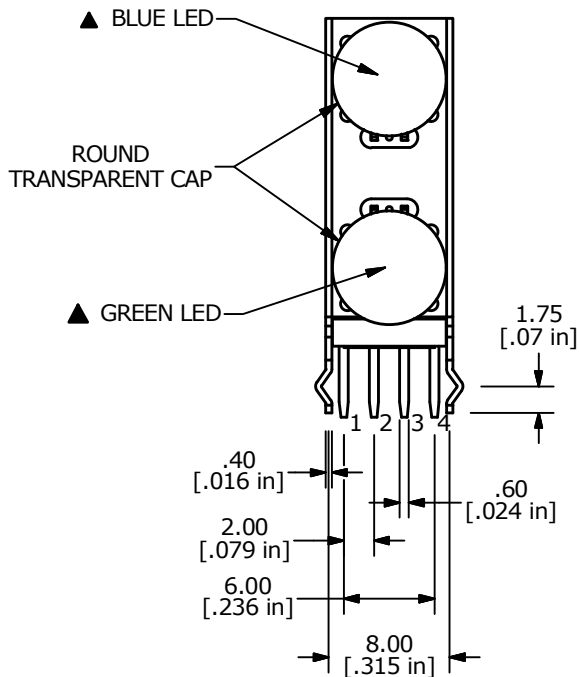
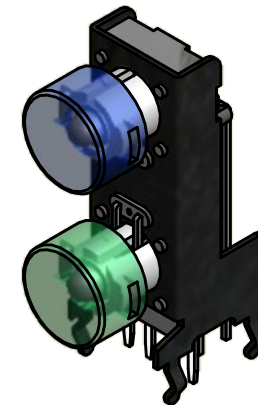
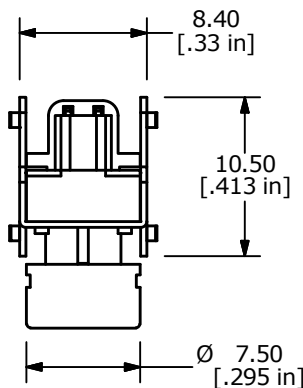


RECOMMENDED PCB LAYOUT



CIRCUIT DIAGRAM

- NOTES:
1. ALL DIMENSIONS IN MM
  2. GENERAL TOLERANCE: X.X = ±0.4  
X.XX = ±0.25
  3. TERM. NUMBERS FOR REFERENCE ONLY.
  4. CONTACT RATING: 50mA @12VDC
  5. TRAVEL: 0.25 ±0.1mm
  6. CONTACT RESISTANCE: 100 Milli-Ohms Max.
  7. OPERATING FORCE: 160 ±50gf
  - ▲ 8. CONTACT MATERIAL: SILVER
  9. MECHANICAL LIFE: 500,000 CYCLES
  10. OPERATING TEMP: -40°C to 85°C
  11. ▲ DENOTES CRITICAL PARAMETER.
  - ▲ 12. PACKAGE: TRAY/ 84 PIECES PER
  13. 2011/65/EU (ROHS) COMPLIANT



A	22698	RELEASE FOR PRODUCTION	2/9/17	MW
REV	PCR NO	DESCRIPTION	DATE	BY

TITLE TL3253ABBAGBF160Q				
SCALE	DATE	DR	DWG	REV
2:1	2/9/2017	MW	B060016	A

THE INFORMATION CONTAINED IN THIS DOCUMENT IS PROPRIETARY TO E-SWITCH AND IS NOT TO BE COPIED OR TRANSFERRED